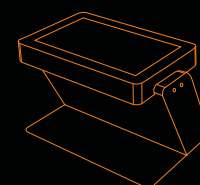


Styria Table Kiosk

PATENTED - DESIGN MODEL N°. 2034



mail: info@pointkiosk.si . tel.: +386 (0)5 3305 771 . fax.: +386 (0)5 3305 495



Styria Table

The interactive table for the future

Technical Specifications Styria Table Kiosk

Dimensions: H830 x W1300 x D830
Weight: aprox. 80 Kg.

The Styria Table model was developed for indoors use (shopping, restaurants, cofes)

This model can be manufactured in stainless steel or painted steel (available in all RAL colors) using steel plate of 1,5mm to 2,5mm which ensures the stability and rigidity of the all structure.

This kiosk was designed to support the new technologies available in the market. We are talking about a fantastic interactive 42" multi-touch display that will work as a virtual table.

We can see pictures, increase, reduce, move, insert a USB flash drive, copy files etc.. Several functions that we can do with a group of friends gathered at this future table.

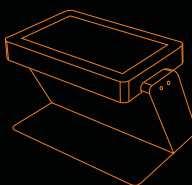
The area where computer is installed and possible peripherals (card readers, coin acceptors, etc.), is protected with access through a security lock and includes a base with three power plugs.

On the side of the monitor are two speakers and the kiosk has 2 independent systems of ventilation, one for the monitor and other for the PC.

The Styria Table Model can be equipped with a Atom CPU with a 160 GB hard drive, 1 Gb Ram Memory, a 128Mb graphic card and a 10/100 mb ethernet, and Windows 7 Starter.

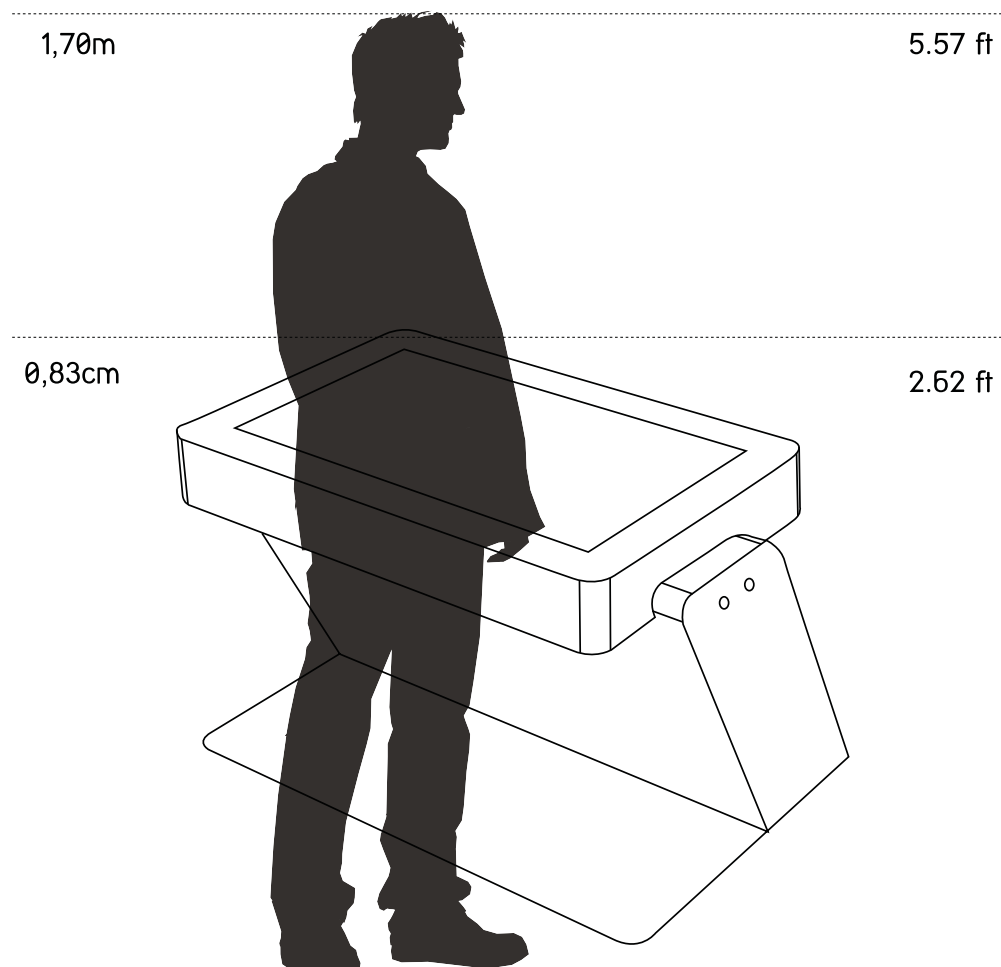


PATENTED - DESIGN MODEL N°. 2034



Styria Table

Distance comparison and main features



Type

Indoor

Materials

Painted Steel

Stainless Steel

MDF

Options

Webcam

Ticket Printer

Card Reader

Antivandalic Keyboard

Bar Code Scanner

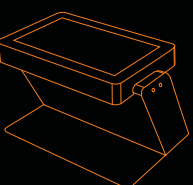
Handset Phone

Coin Validator

Bill Validator

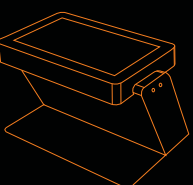
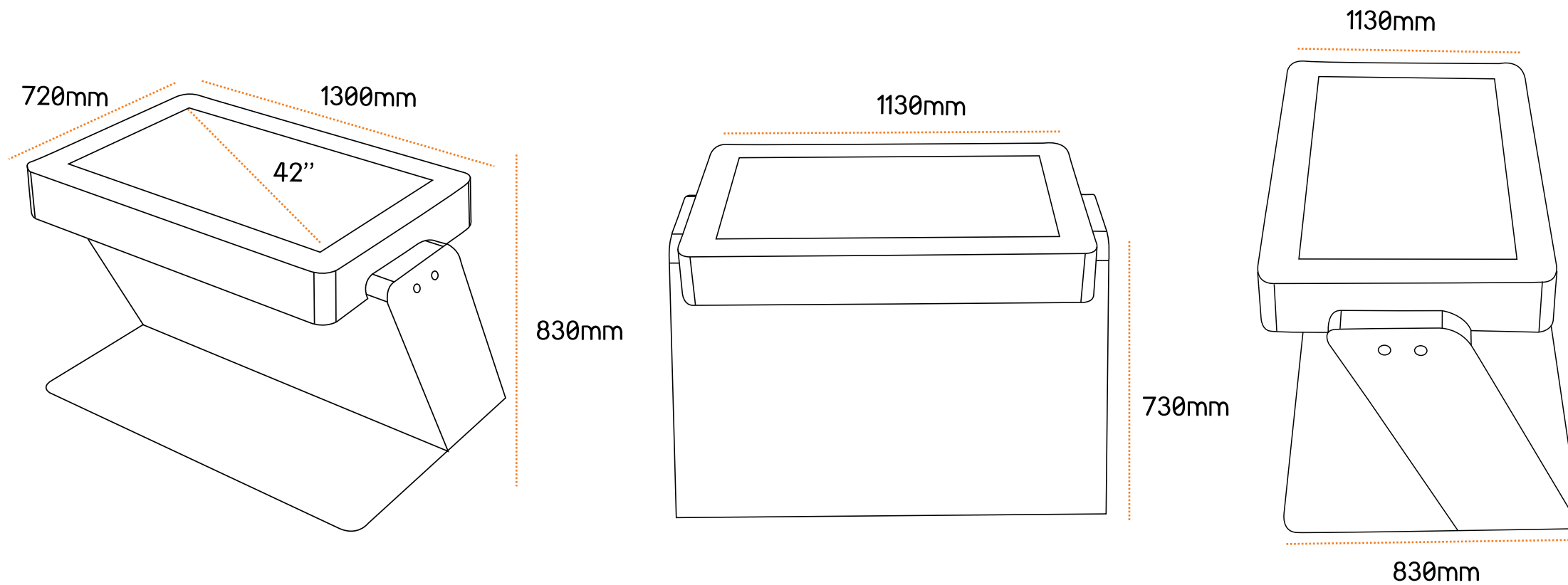
Ykiosk Software

Styria Table
Distance comparison and main features



Styria Table

Kiosk measures



Styria Table

Technical data

Dimensions:

- 42" Display (resolution: 1920x 1080 Pixel)
- H830 W1200 D830

Weight:

80 kg

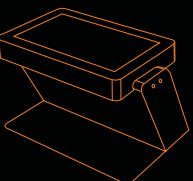
Configuration:

- The interactive table for the future
- Stainless steel AISI304 or painted steel (RAL Colors)
- Steel plate of 1,5mm to 2,5mm
- 42" display
- Integrated speakers

Optional:

- 32" to 56" displays
- Atom or Dual Core PC computer
- Microsoft Windows 7 Professional
- Ykiosk software package
- Touchscreen
- Wireless networking - WLAN
- Bluetooth functionality
- Webcam

• Other components can be integrated changing kiosk dimensions: ticket printer, coin validator, bill validator, card readers, antivandalic keyboard, proximity sensor, etc.





info@pointkiosk.si . tel.: +386 (0)5 3305 771 . fax.: +386 (0)5 3305 495

COBIT d.o.o., Industrijska cesta 5, Kromberk - p.p.235 -5001 Nova Gorica