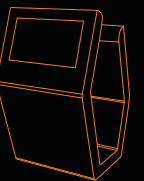


Lotus Kiosk



mail: info@pointkiosk.si . tel.: +386 (0)5 3305 771 . fax.: +386 (0)5 3305 495



Lotus

Your interactive directory

The Lotus model was designed specially for indoor applications to work as a Point of information and advertising for malls, big companies or other applications.

This model can be manufactured in stainless steel or painted steel (available in all RAL colors) using steel plate of 1,5mm to 2,5mm which ensures the stability and rigidity of the all structure.

This Kiosk is designed specially for multimedia advertising purposes and support large displays (32" to 108").

The two sides of the kiosk are designed so that there is a great versatility.
Optional - 2 large advertising displays, one in each side / 1 large advertising display and 1 interactive display in other side.

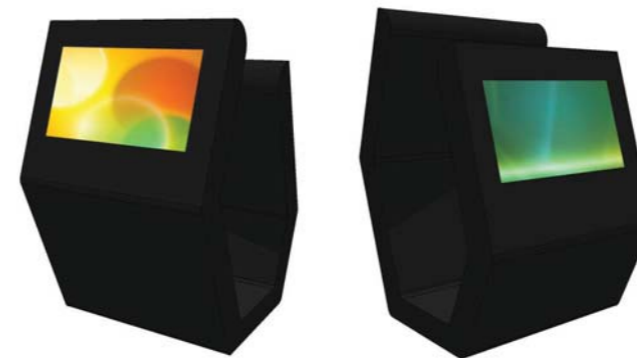
The area where the PC will be installed has security locks, general switch and is easily detachable, leaving enough space for the installation and access to a minitower PC.

On the side of the monitor are two speakers and the kiosk has 2 independent systems of ventilation, one for the monitor and other for the PC.

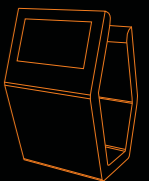
The Maya is normally equipped with a Atom CPU with a 160 GB hard drive, 1 Gb Ram Memory, a 128Mb graphic card and a 10/100 mb ethernet, Windows 7 Starter.

Technical Specifications Lotus Kiosk

Dimensions: A1900 x L650 x P1060,630
Weight: aprox. 80 Kg.

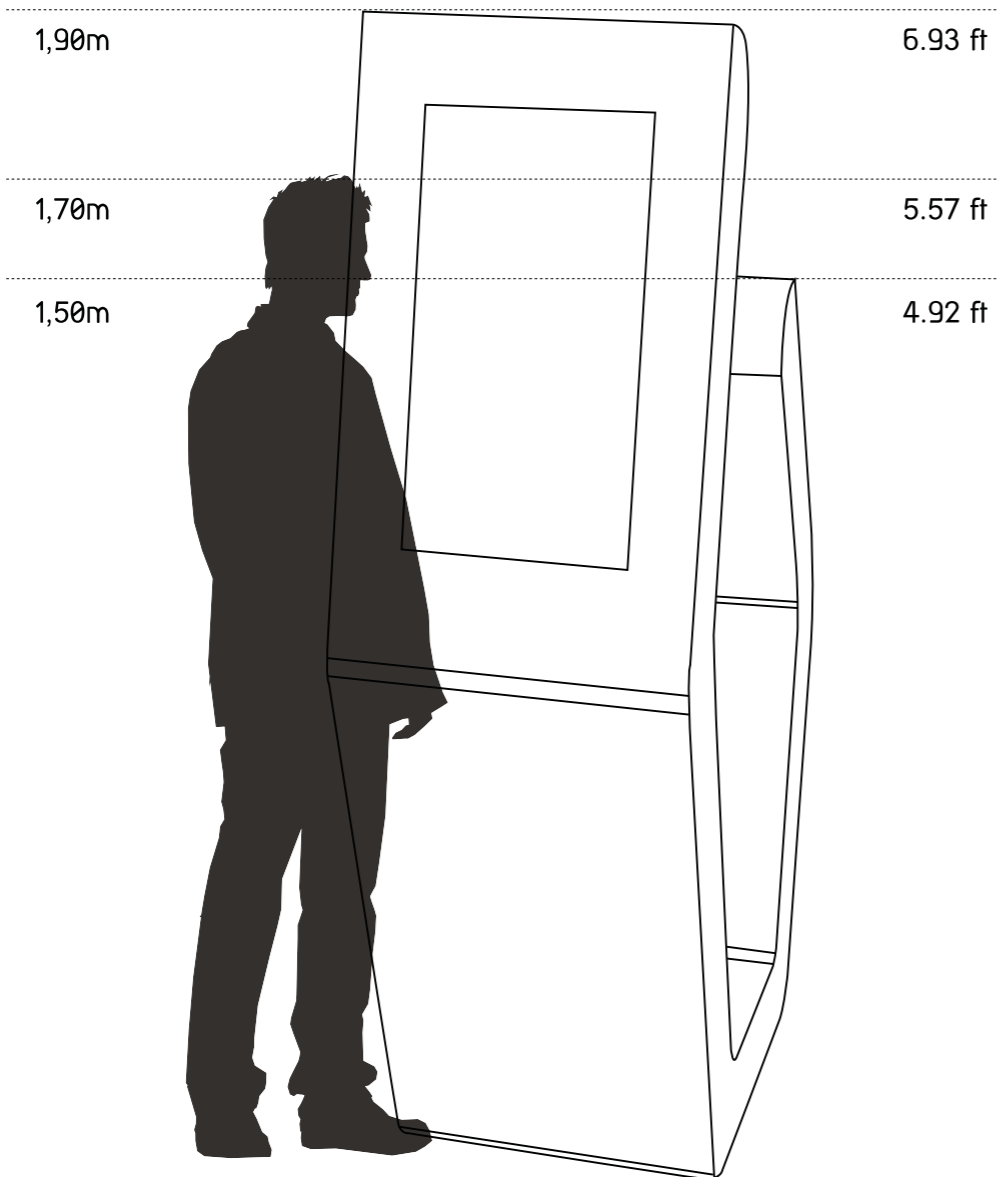


Lotus Configuring with 2 monitors
in landscape position (horizontal)



Lotus

Distance comparison and main features



Type

Indoor

Materials

Painted Steel

Stainless Steel

Options

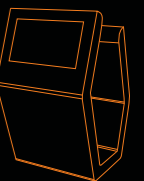
Large Displays 17" to 103"

YdSignage Software

Double Face Displays
(Touchscreen or TFT)

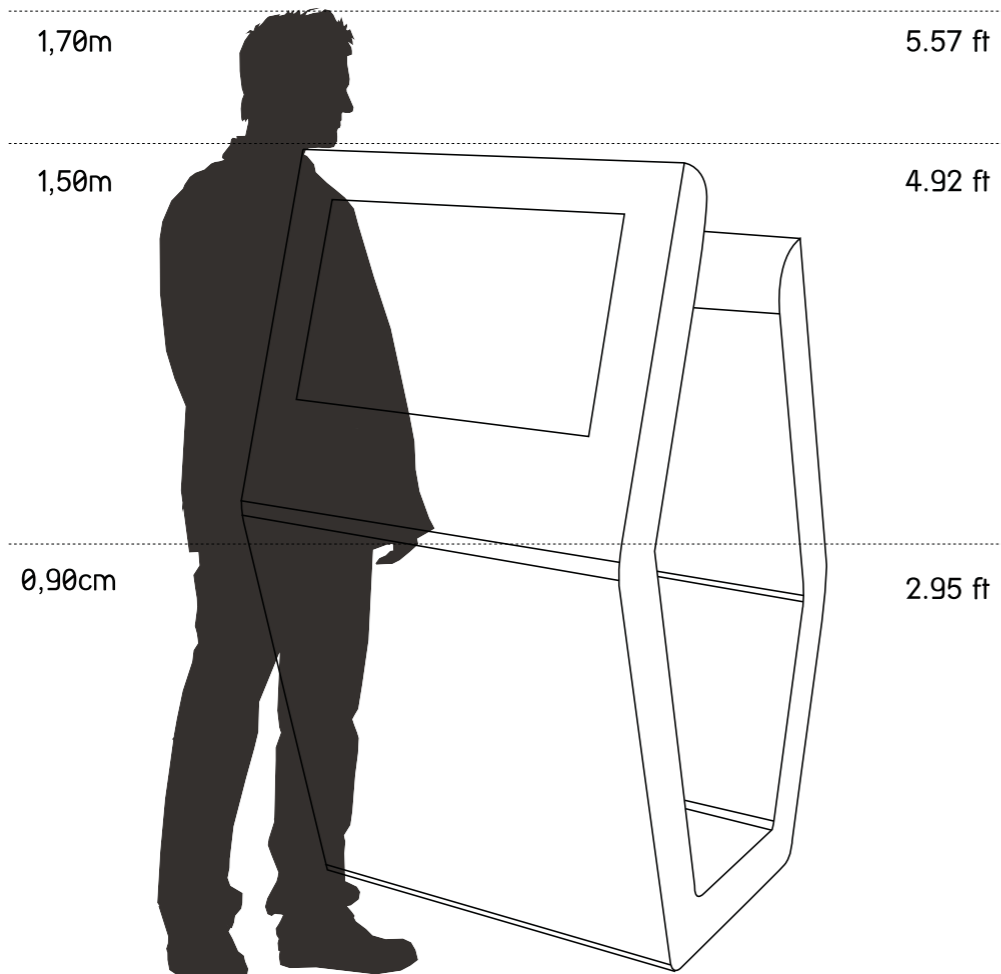
Distance comparison and main features

Lotus



Lotus

Distance comparison and main features



Type

Indoor

Materials

Painted Steel

Stainless Steel

Options

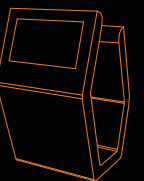
Large Displays 17" to 103"

YdSignage Software

Double Face Displays
(Touchscreen or TFT)

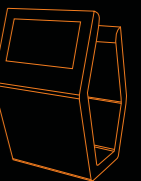
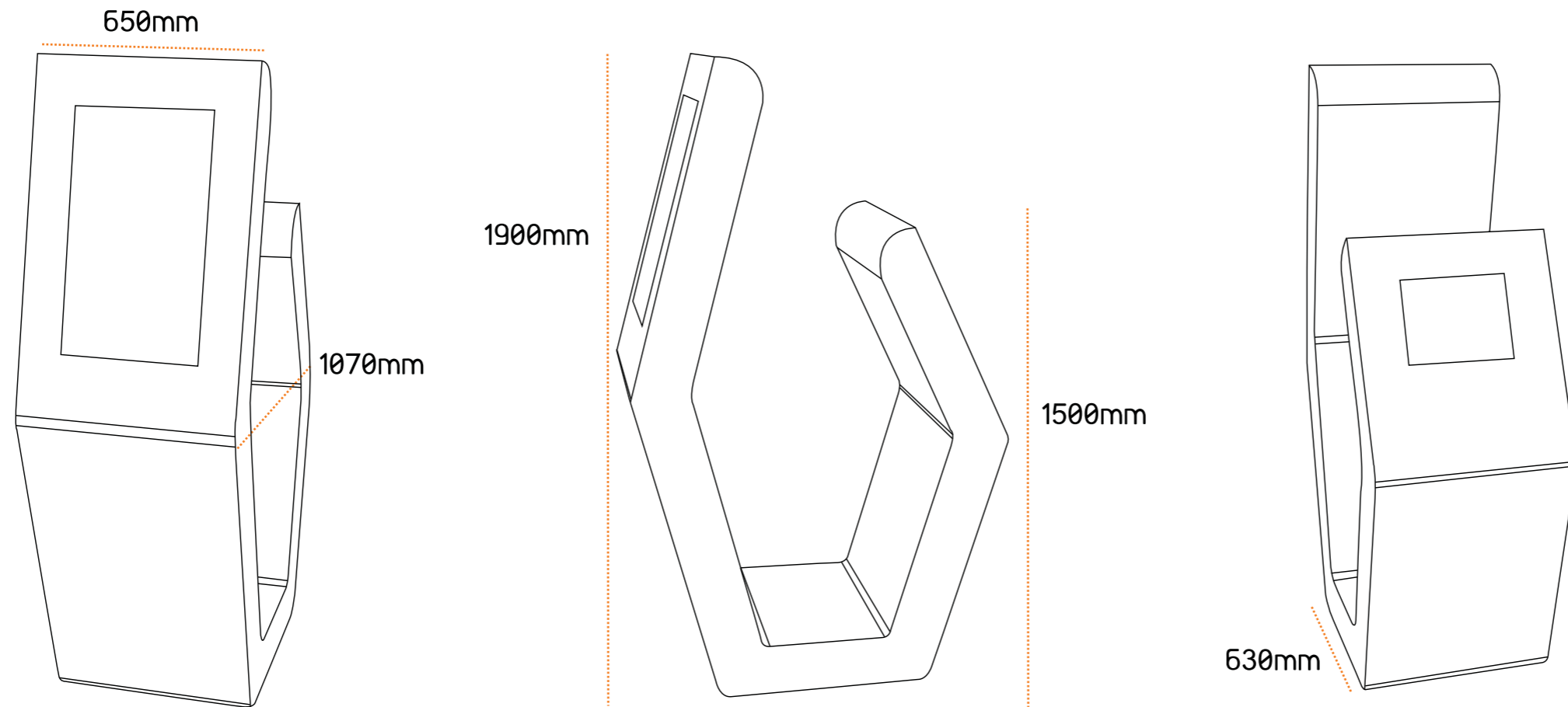
Distance comparison and main features

Lotus



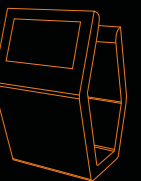
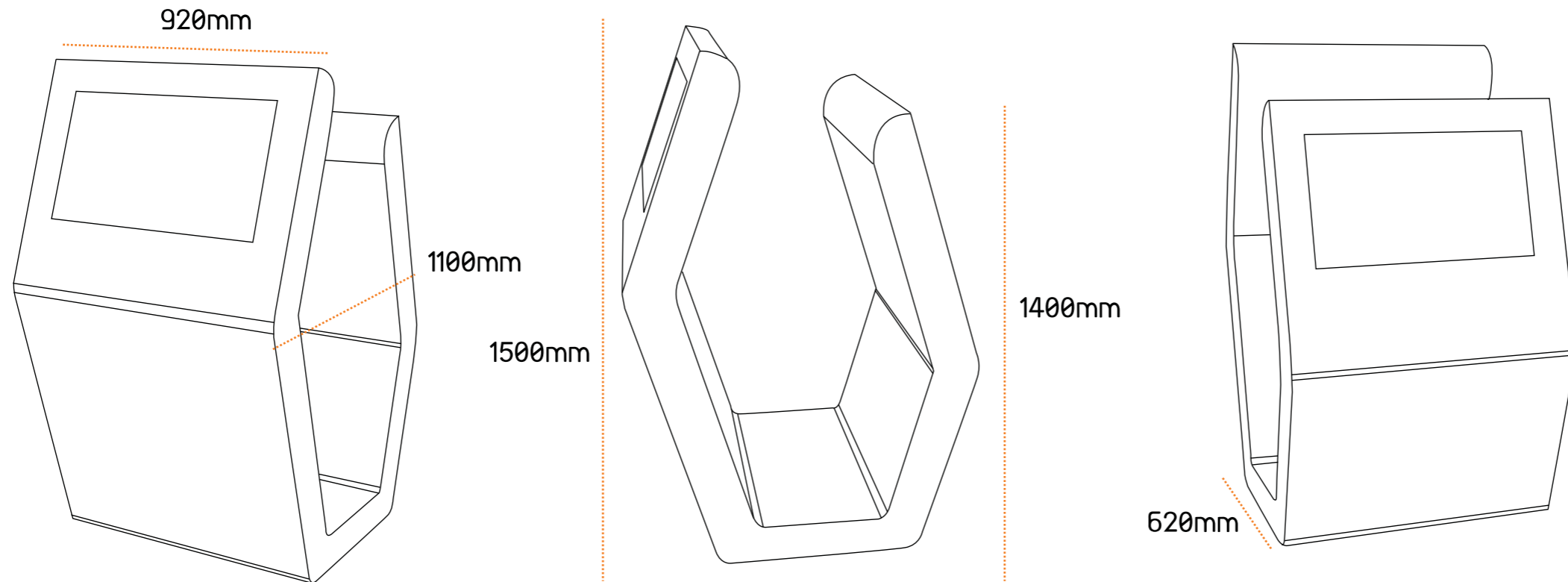
Lotus

Kiosk measures



Lotus

Kiosk measures



Lotus

Technical data

Dimensions:

- 42" Display (resolution: 1920x 1080 Pixel)
- 17" Display (resolution: 1027x 768 Pixel)
- H1900 W650 D1050,630

Weight:

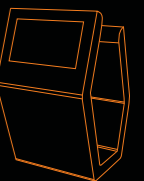
80 kg

Configuration:

- Outdoor multimedia platform
- Stainless steel AISI304 or painted steel (RAL Colors)
- Steel plate of 1,5mm to 2,5mm
- 42" display
- Integrated speakers

Optional:

- 46" to 108" displays
 - Atom or Dual Core PC computer
 - Microsoft Windows 7 Professional
 - Ykiosk software package
 - Touch screen (SAW - antivandalism)
 - Wireless networking - WLAN
 - Bluetooth functionality
 - Webcam
 - 2 side displays
- Other components can be integrated changing kiosk dimensions: ticket printer, coin validator, bill validator, card readers, antivandalic keyboard, proximity sensor, etc.





info@pointkiosk.si . tel.: +386 (0)5 3305 771 . fax.: +386 (0)5 3305 495

COBIT d.o.o., Industrijska cesta 5, Kromberk - p.p.235 -5001 Nova Gorica