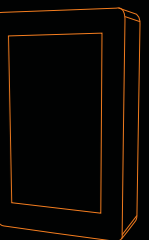


MediaXV Kiosk



mail: info@pointkiosk.si . tel.: +386 (0)5 3305 771 . fax.: +386 (0)5 3305 495



MediaXV

New communication platform

The MediaXV multimedia points were specially designed for both indoors or outdoors use (with some protection) , for videos and multimedia presentations (such as Museums, Shopping Malls, Centers Shows, Exhibitions, Football Stadiums, etc).

This Kiosk support large displays (32" to 108").

This is an advanced and sophisticated communication platform for multimedia content in order to meet the most diverse areas of communication (advertising, institutional information, entertainment, etc.).

This model can be manufactured in stainless steel or painted steel (available in all RAL colors) using steel plate of 1,5mm to 2,5mm which ensures the stability and rigidity of the all structure.

The area where the PC will be installed has security locks, general switch and is easily detachable, leaving enough space for the installation and access to a minitower PC.

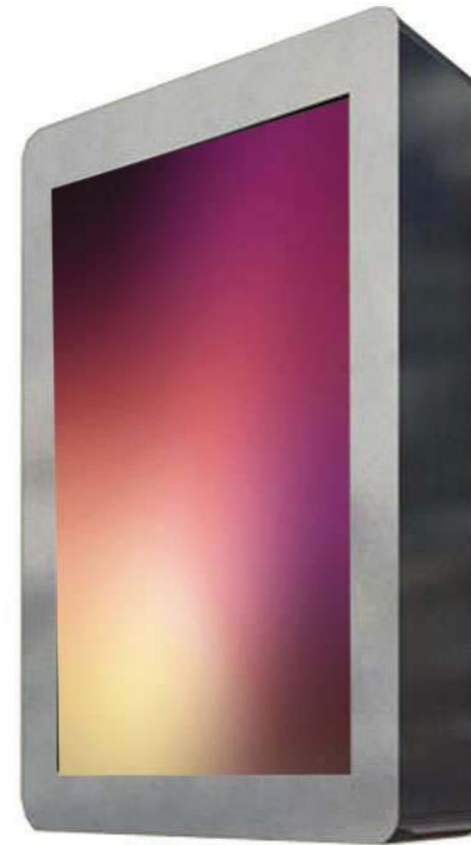
On the display side can be included two integrated speakers that fits smoothly in the all structure.

The MediaXV is normally equipped with a Atom CPU with a 160 GB hard drive, 1 Gb Ram Memory, a 128Mb graphic card and a 10/100 mb ethernet, Windows 7 Starter.

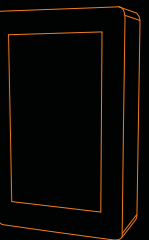
If it's necessary the mediakx can even be placed with an little inclination for a more perfect image. Alternatively, you may place it in a top of a table.

Technical Specifications MediaX Kiosk

Dimensions: H950 x W600 x D250
Weight: aprox. 45 Kg.

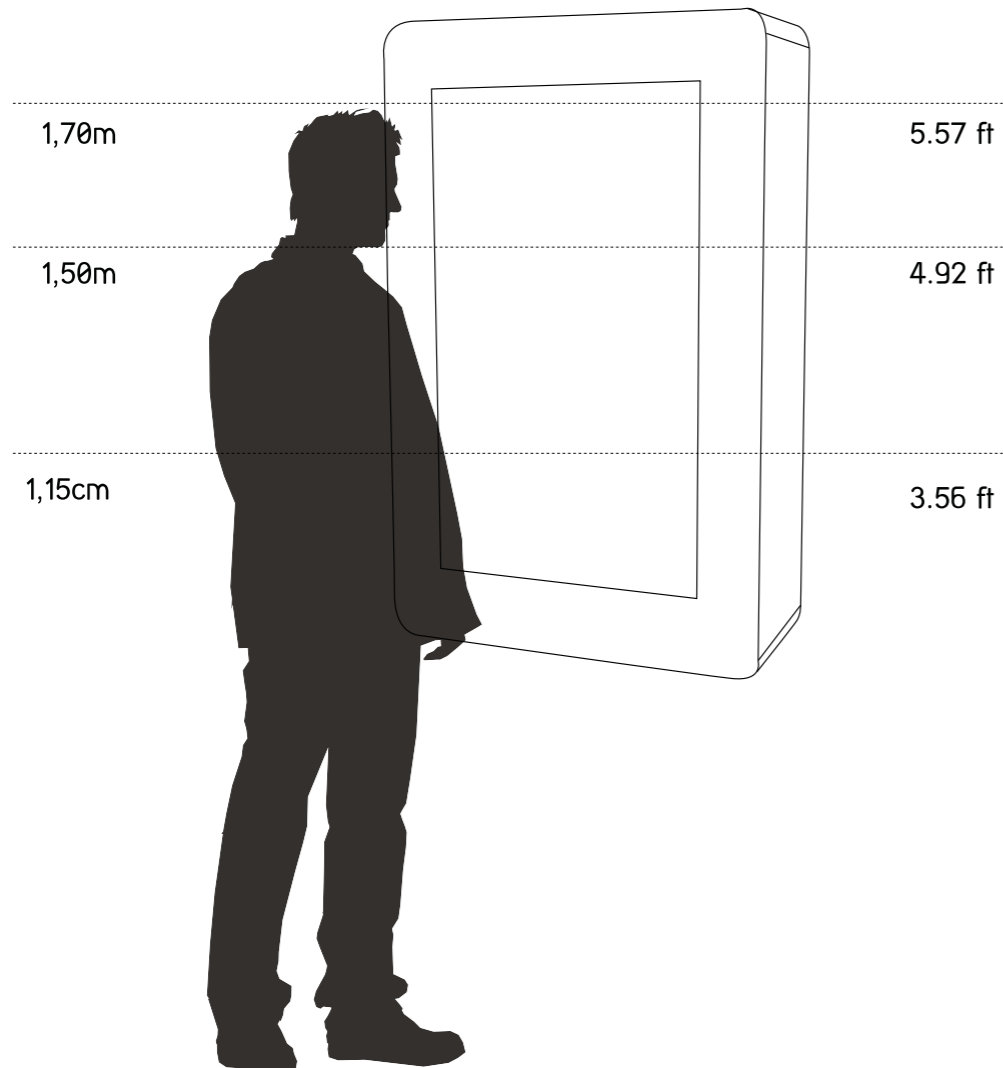


MediaXV
New communication platform



MediaXV

Distance comparison and main features



Type

Wall

Materials

Painted Steel

Stainless Steel

MDF

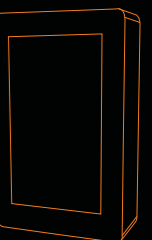
Options

Large Displays 32" to 108"

Glass Protection

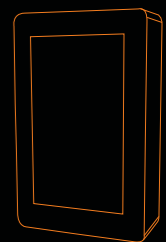
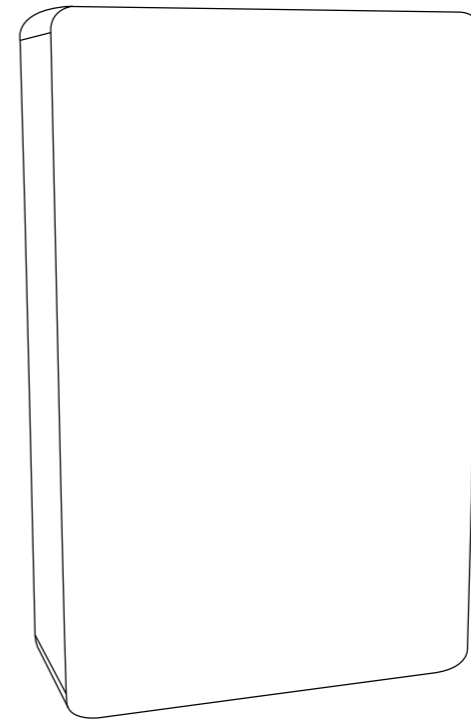
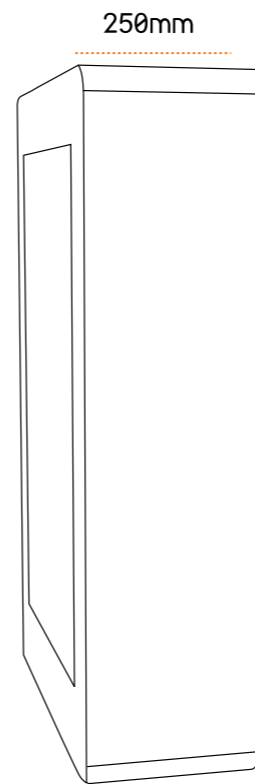
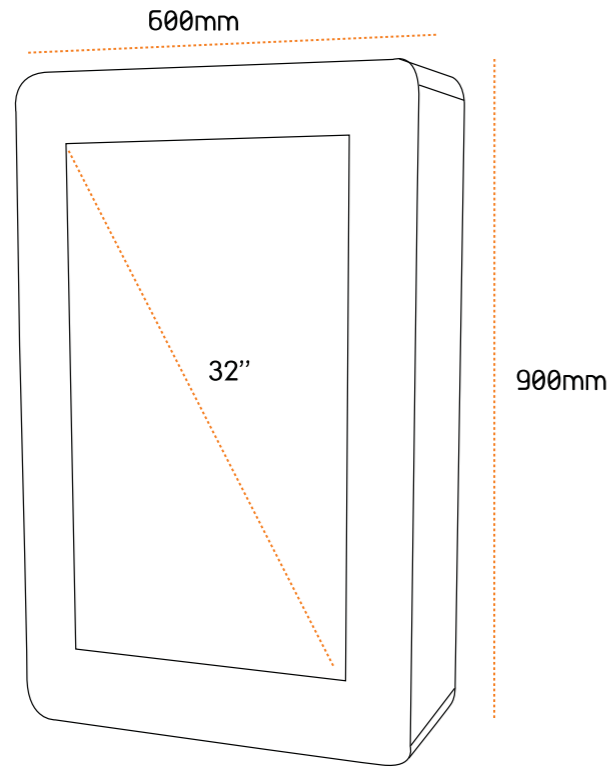
Ykiosk Software

MediaXV
Distance comparison and main features



MediaXV

Kiosk measures



MediaXV

Technical data

Dimensions:

- 32" Display (resolution: 1280 x 1024 Pixel)
- H950 W600 D250

Weight:

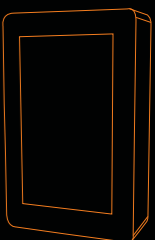
45 kg

Configuration:

- Small and Stylish
- Stainless steel AISI304 or painted steel (RAL Colors)
- Steel plate of 1,5mm to 2,5mm
- 32" Display
- Integrated speakers

Optional:

- 32" to 56" Displays
 - Atom or Dual Core PC computer
 - Microsoft Windows 7 Professional
 - Ykiosk software package
 - Touch screen (SAW - antivandalism)
 - Wireless networking - WLAN
 - Bluetooth functionality
 - Webcam
- Other components can be integrated changing kiosk dimensions: ticket printer, coin validator, bill validator, card readers, antivandalic keyboard, proximity sensor, etc.





info@pointkiosk.si . tel.: +386 (0)5 3305 771 . fax.: +386 (0)5 3305 495

COBIT d.o.o., Industrijska cesta 5, Kromberk - p.p.235 -5001 Nova Gorica