

# StyloW Kiosk



mail: [info@pointkiosk.si](mailto:info@pointkiosk.si) . tel.: +386 (0)5 3305 771 . fax.: +386 (0)5 3305 495

# StyloW

Wall Modern Design

## Technical Specifications StyloW Kiosk

Dimensions: H670 x W540 x D200

Weight: aprox. 38 Kg.

The StyloW Model was developed specifically for indoor use, particularly for placing in walls.

This model is manufactured in stainless steel AISI304 or painted steel (RAL Colors) using steel plate of 1,5mm to 2,5mm which ensures the stability and rigidity of all structure.

The area where the computer is installed and possible peripherals (card readers, coin acceptors, etc.), is protected with access through a security lock and includes three power plugs.

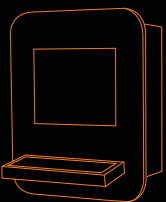
On top of display are two integrated speakers that fits smoothly in the all structure.

The StyloW Model is normally equipped with a 17" display (19", 22" or other sizes are possible).

The StyloW Model can be equipped with a Atom CPU with a 160 GB hard drive, 1 Gb Ram Memory, a 128Mb graphic card and a 10/100 mb ethernet and Windows 7 Starter.

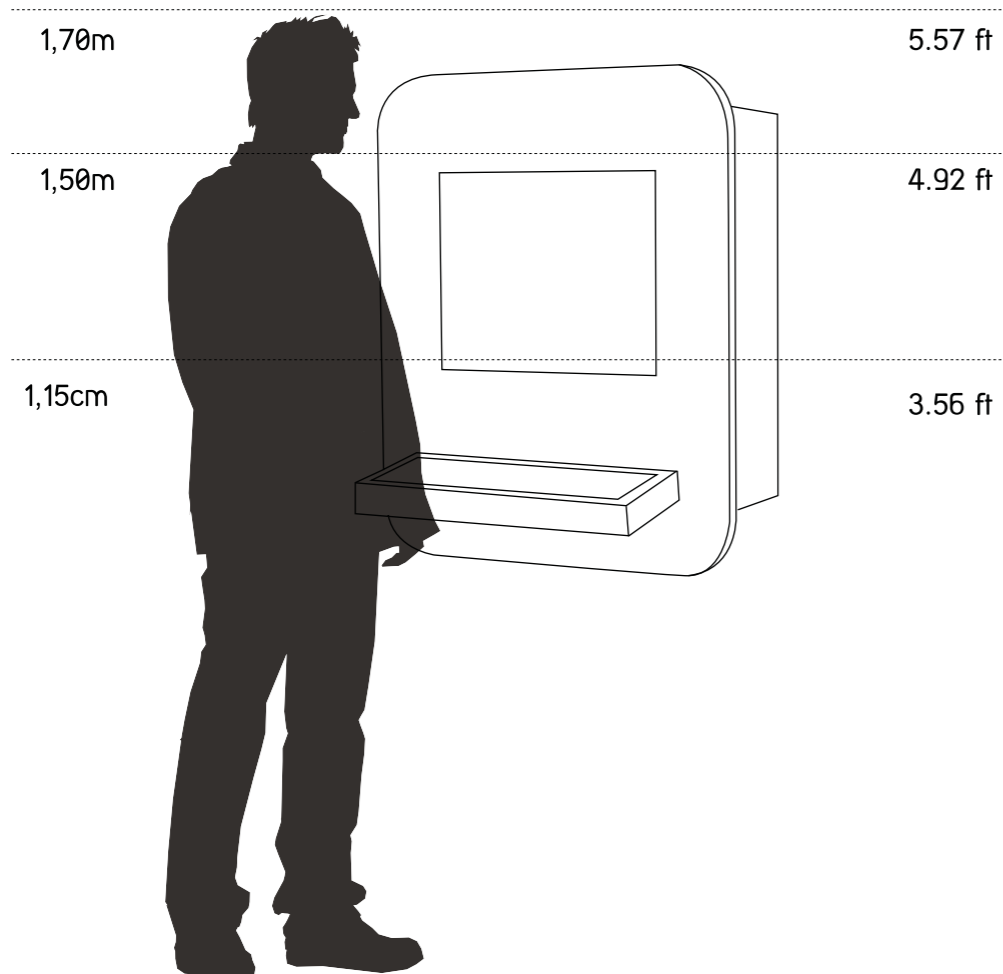


StyloW  
Wall Modern Design



# StyloW

Distance comparison and main features



## Type

Wall

## Materials

Painted Steel

Stainless Steel

MDF

## Options

Webcam

Ticket Printer

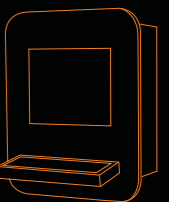
Card Reader

Bar Code Scanner

Antivandalic Keyboard

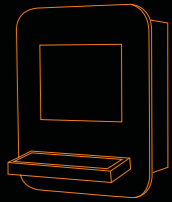
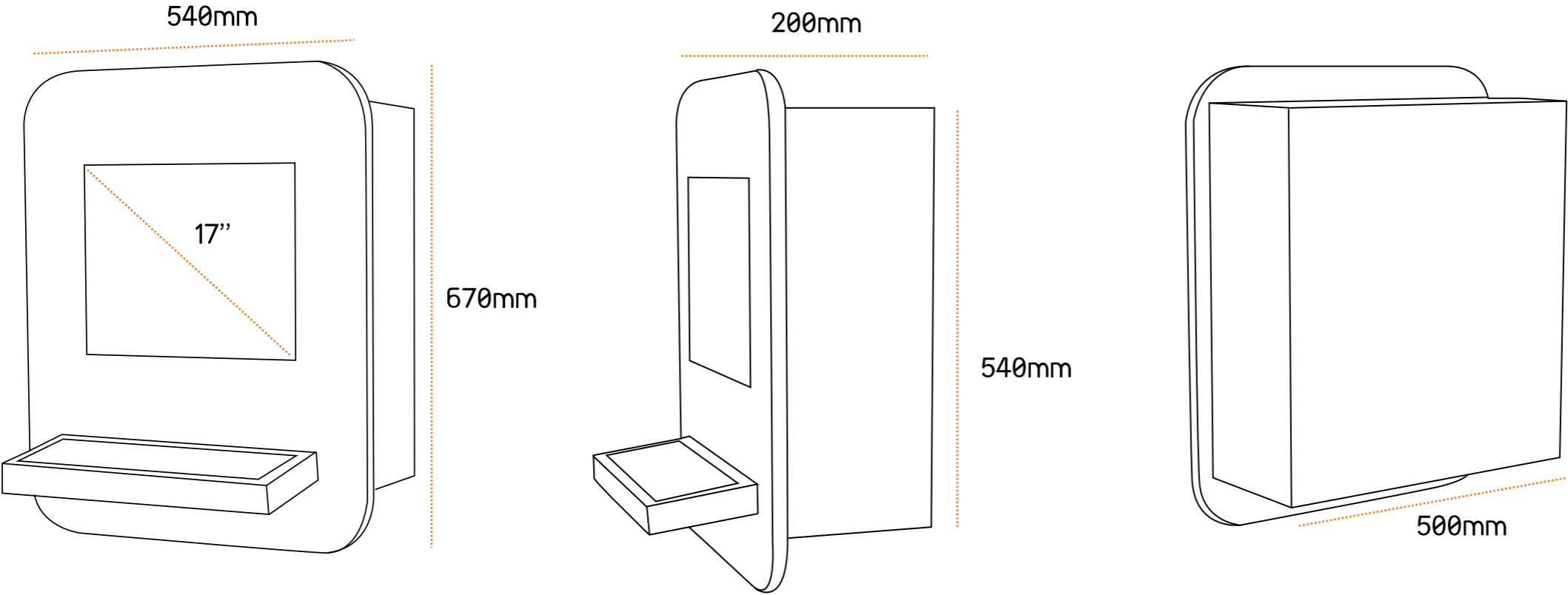
Ykiosk Software

StyloW  
Distance comparison and main features



# StyloW

Kiosk measures



# StyloW

Technical data

---

## Dimensions:

- 17" Display (resolution: 1920x 1080 Pixel)
- H670 W540 D200

## Weight:

38 kg

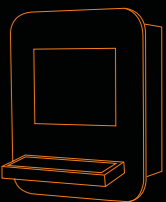
## Configuration:

- Wall Modern Design
- Stainless steel AISI304 or painted steel (RAL Colors)
- Steel plate of 1,5mm to 2,5mm
- 17" display
- Integrated speakers

## Optional:

- 17" to 21" displays
- Atom or Dual Core PC computer
- Microsoft Windows 7 Professional
- Ykiosk software package
- Touch screen (SAW - antivandalism)
- Wireless networking - WLAN
- Bluetooth functionality
- Webcam

• Other components can be integrated changing kiosk dimensions:  
ticket printer, coin validator, bill validator, card readers, antivandalic  
keyboard, proximity sensor, etc.





info@pointkiosk.si . tel.: +386 (0)5 3305 771 . fax.: +386 (0)5 3305 495

COBIT d.o.o., Industrijska cesta 5, Kromberk - p.p.235 -5001 Nova Gorica