

# Dekor Kiosk



mail: [info@pointkiosk.si](mailto:info@pointkiosk.si) . tel.: +386 (0)5 3305 771 . fax.: +386 (0)5 3305 495

# Dekor

Sober with rounded lines

The Dekor model was developed for indoors use to work as stand up kiosk.

This model can be manufactured in stainless steel or painted steel (available in all RAL colors) using steel plate of 1,5mm to 2,5mm which ensures the stability and rigidity of the all structure.

This Dekor model is normally equipped with a tactile monitor and can be delivered with a anti vandalism keyboard with trackball, card reader, webcam, coin acceptor, tickets printer, handset phone and other peripherals. This model can be equipped with a anti vandalic monitor.

The area where the computer is installed and possible peripherals (card readers, coin acceptors, etc.), is protected with access through a security lock and includes three power plugs.

The Dekor Model is normally equipped with a 17" SXGA touchscreen display (SAW) (19", 22" or other sizes are possible).

On the side of the monitor are two speakers and the kiosk has 2 independent systems of ventilation, one for the monitor and other for the PC.

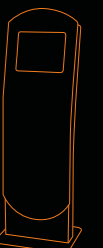
The Dekor Model is normally equipped with a Atom CPU with a 160 GB hard drive, 1 Gb Ram Memory, a 128Mb graphic card and a 10/100 mb ethernet, Windows 7 Starter.

## Technical Specifications Dekor Kiosk

Dimensions: H1620 x W500 x D100,430  
Weight: aprox. 45 Kg.

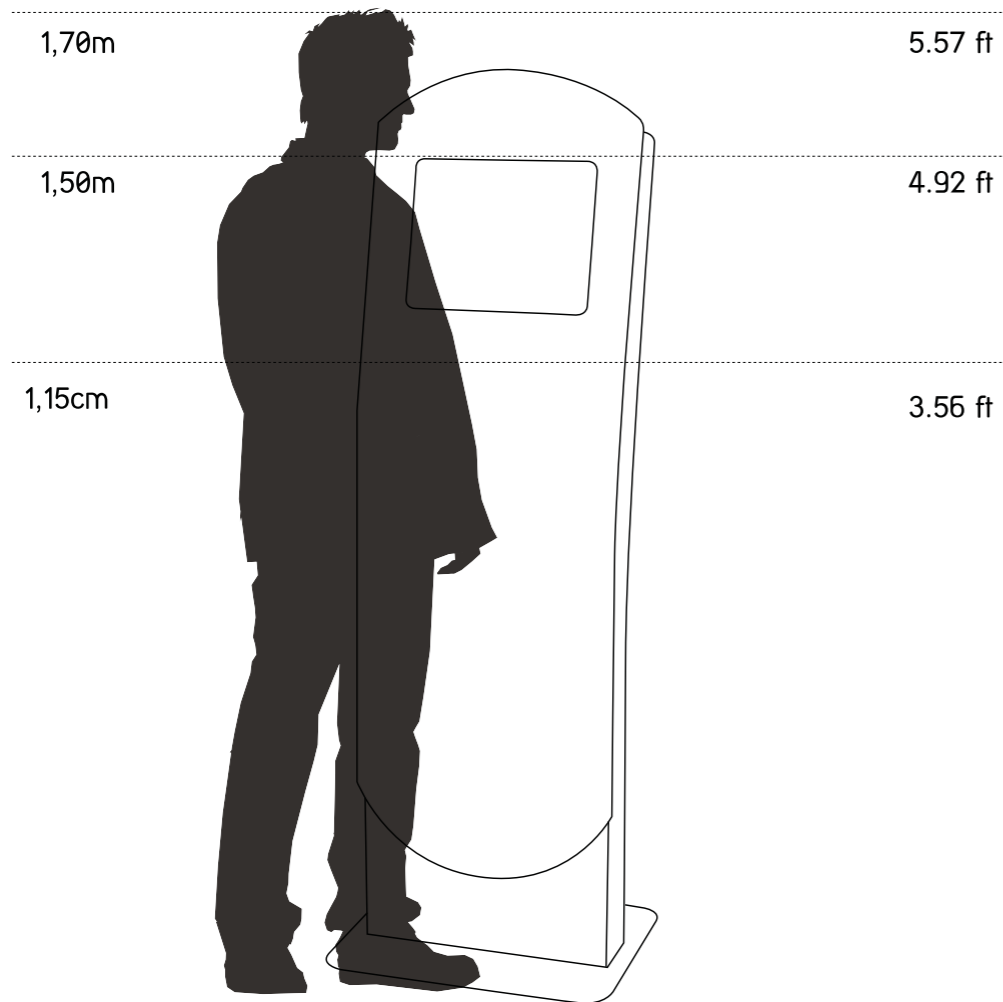


Dekor  
Sober with rounded lines



# Dekor

Distance comparison and main features



## Type

Indoor

## Materials

Painted Steel

Stainless Steel

MDF

## Options

Webcam

Ticket Printer

Card Reader

Antivandalic Keyboard

Bar Code Scanner

Handset Phone

Coin Validator

Bill Validator

A4 Printer (SlimwXL)

Ykiosk Software

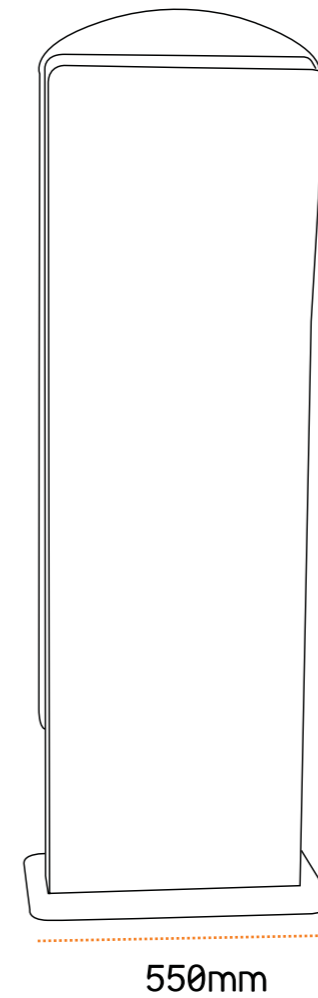
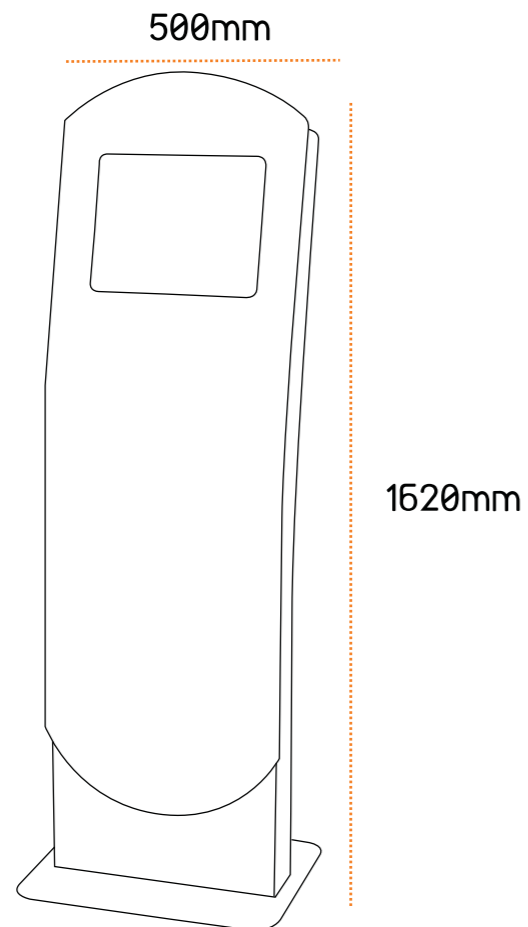
Distance comparison and main features

# Dekor



# Dekor

Kiosk measures



# Dekor

Technical data

---

## Dimensions:

- 17" Display (resolution: 1280 x 1024 Pixel)
- H1620 W500 D(100,430)

## Weight:

45 kg

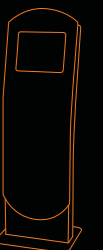
## Configuration:

- Sober with rounded lines
- Stainless steel AISI304 or painted steel (RAL Colors)
- Steel plate of 1,5mm to 2,5mm
- 17" SXGA touchscreen display (SAW)
- Integrated speakers

## Optional:

- 19" to 24" Displays
- Atom or Dual Core PC computer
- Microsoft Windows 7 Professional
- Ykiosk software package
- Antivandalic Keyboard
- Touchscreen (Infrared, optical, capacitive)
- Wireless networking - WLAN
- Bluetooth functionality
- Webcam

• Other components can be integrated changing kiosk dimensions: ticket printer, coin validator, bill validator, card readers, antivandalic keyboard, proximity sensor, etc.





info@pointkiosk.si . tel.: +386 (0)5 3305 771 . fax.: +386 (0)5 3305 495

COBIT d.o.o., Industrijska cesta 5, Kromberk - p.p.235 -5001 Nova Gorica