

Net Kiosk



mail: info@pointkiosk.si . tel.: +386 (0)5 3305 771 . fax.: +386 (0)5 3305 495

Net

Multimedia with design

The Net model was developed for indoors use to work as stand up kiosk.

The Net 17 or 19 models have the same characteristics and dimensions, and the only difference among them is the size of the tactile monitor, 17", or 19".

This model can be manufactured in stainless steel or painted steel (available in all RAL colors) using steel plate of 1,5mm to 2,5mm which ensures the stability and rigidity of the all structure.

This model is normally equipped with a tactile monitor and can be delivered with a anti vandalic keyboard (NetXL) with trackball, card reader, webcam, coin acceptor, tickets printer, handset phone and other peripherals. This model can be equipped with a anti vandalic monitor.

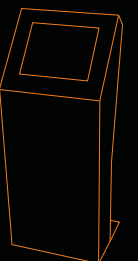
The area where the PC will be installed has security locks, general switch and is easily detachable, leaving enough space for the installation and access to a minitower PC.

On the side of the monitor are two speakers and the kiosk has 2 independent systems of ventilation, one for the monitor and other for the PC.

The Net Model is normally equipped with a Atom CPU with a 160 GB hard drive, 1 Gb Ram Memory, a 128Mb graphic card and a 10/100 mb ethernet, Windows 7 Starter.

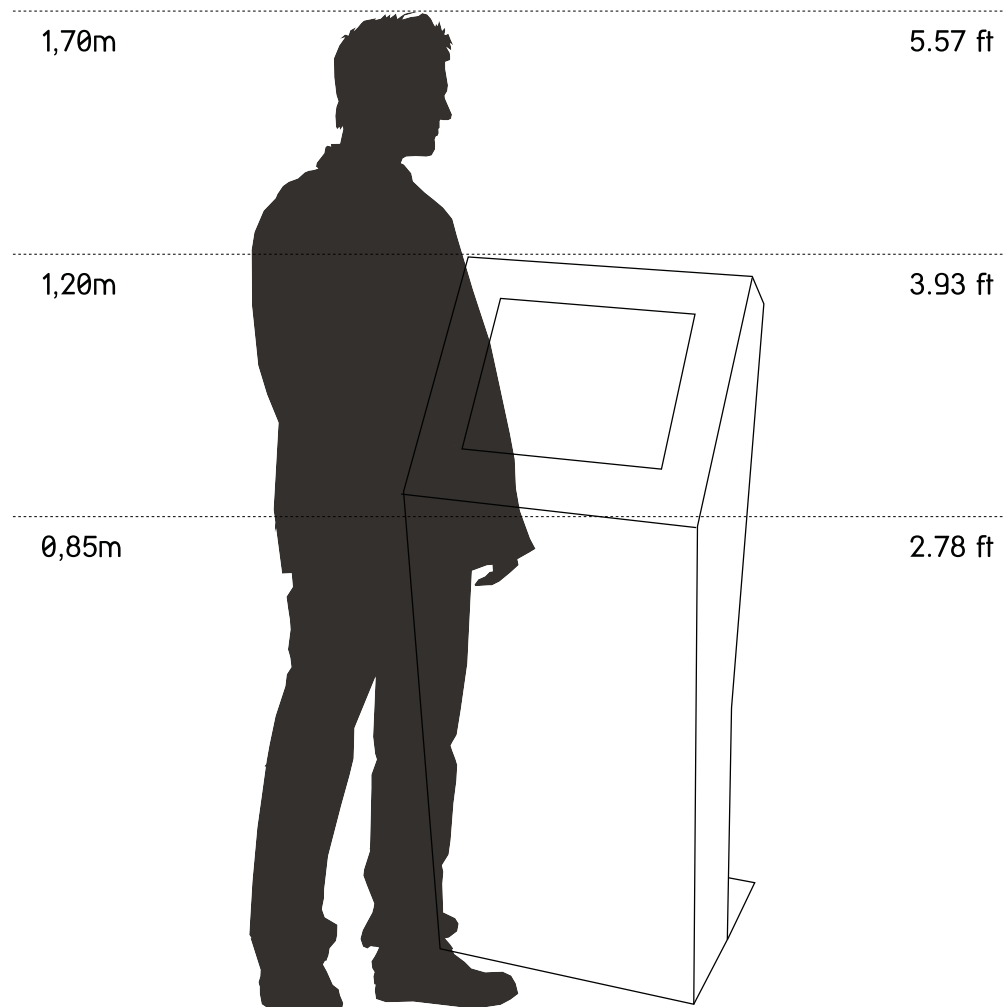
Technical Specifications Net Kiosk

Dimensions: H1200 x W500 x D100,320,200
Weight: aprox. 40 Kg.



Net

Distance comparison and main features



Type

Indoor

Materials

Painted Steel

Stainless Steel

MDF

Options

Webcam

Ticket Printer

Card Reader

Antivandalic Keyboard

Bar Code Scanner

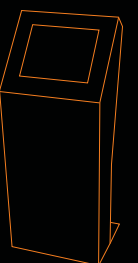
Handset Phone

Coin Validator

Bill Validator

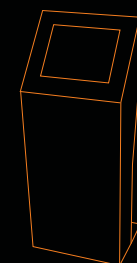
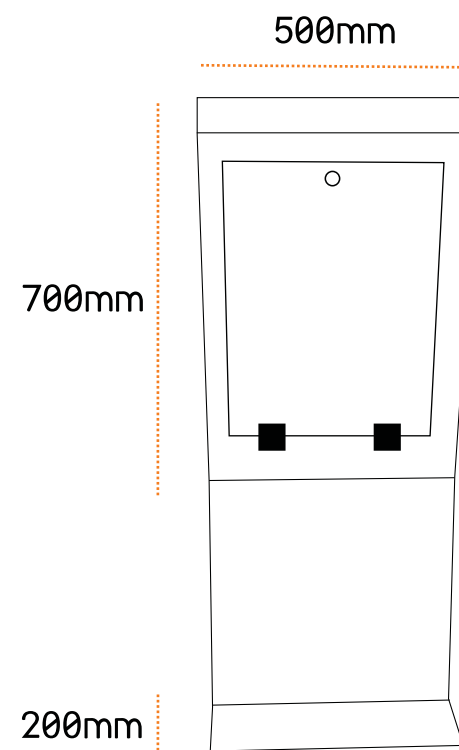
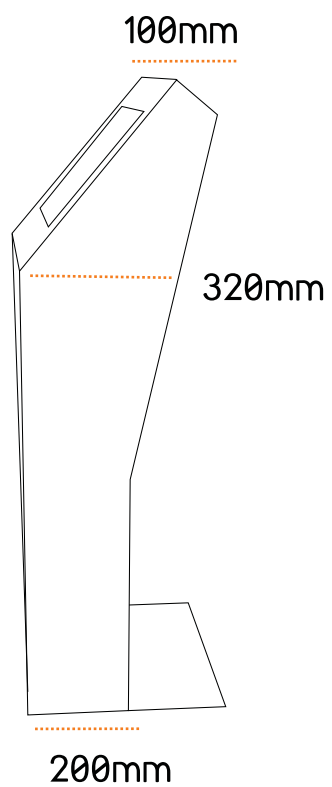
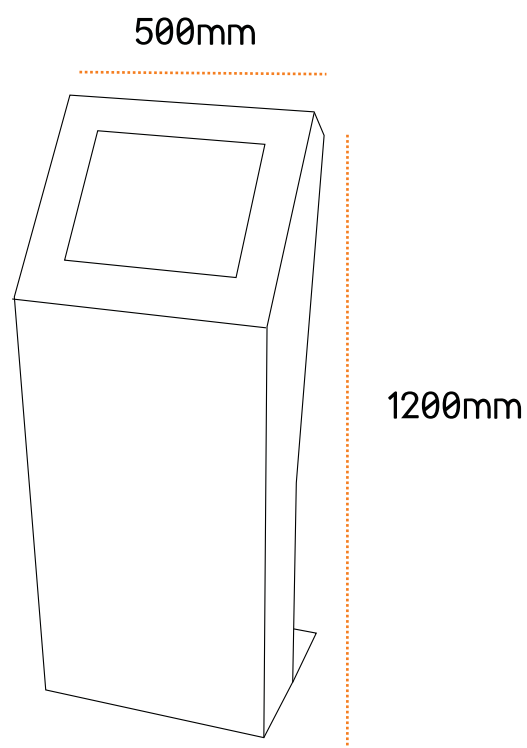
A4 Printer (Net XL)

Ykiosk Software



Net

Kiosk measures



Net

Technical data

Dimensions:

- 17" Display (resolution: 1280 x 1024 Pixel)
- H1200 W500 D(100,320,90)

Weight:

40 kg

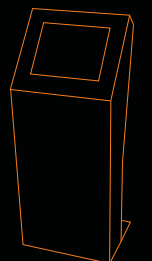
Configuration:

- Multimedia with design
- Stainless steel AISI304 or painted steel (RAL Colors)
- Steel plate of 1,5mm to 2,5mm
- 17" XGA touchscreen display (resistive)
- Integrated speakers

Optional:

- 19" to 24" Displays
- Atom or Dual Core PC computer
- Microsoft Windows 7 Professional
- Ykiosk software package
- Touch screen (SAW - antivandalism)
- Wireless networking - WLAN
- Bluetooth functionality
- Webcam

• Other components can be integrated changing kiosk dimensions: ticket printer, coin validator, bill validator, card readers, antivandalic keyboard, proximity sensor, etc.





info@pointkiosk.si . tel.: +386 (0)5 3305 771 . fax.: +386 (0)5 3305 495

COBIT d.o.o., Industrijska cesta 5, Kromberk - p.p.235 -5001 Nova Gorica