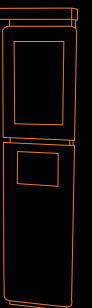


Azteca Kiosk



mail: info@pointkiosk.si . tel.: +386 (0)5 3305 771 . fax.: +386 (0)5 3305 495



Azteca

Advertising and Interactivity

The Azteca model was designed specially for outdoor applications.

This model can be manufactured in stainless steel or painted steel (available in all RAL colors) using steel plate of 1,5mm to 2,5mm which ensures the stability and rigidity of the all structure.

This Kiosk is designed specially for information and/or multimedia advertising purposes. At the top is placed a courtesy light.

This kiosk was specifically designed to pass dynamic advertising contents and can support large displays, (32" to 100"). The lower monitor provides interactive informations.

The area where the PC will be installed has security locks, general switch and is easily detachable, leaving enough space for the installation and access to a minitower PC.

The area where computer is installed and possible peripherals (card readers, coin acceptors, etc.), is protected with access through a security lock and includes a base with three power plugs.

The Azteca Model can be equipped with a Atom CPU with a 160 GB hard drive, 1 Gb Ram Memory, a 128Mb graphic card and a 10/100 mb ethernet, and Windows 7 Starter.

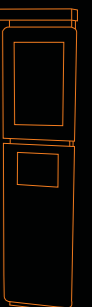
This kiosk can be produced with glass protection (top and 2 laterals) for outdoor environments.

Technical Specifications Azteca Kiosk

Dimensions: H2800 x W600 x D150
Weight: aprox. 140 Kg.

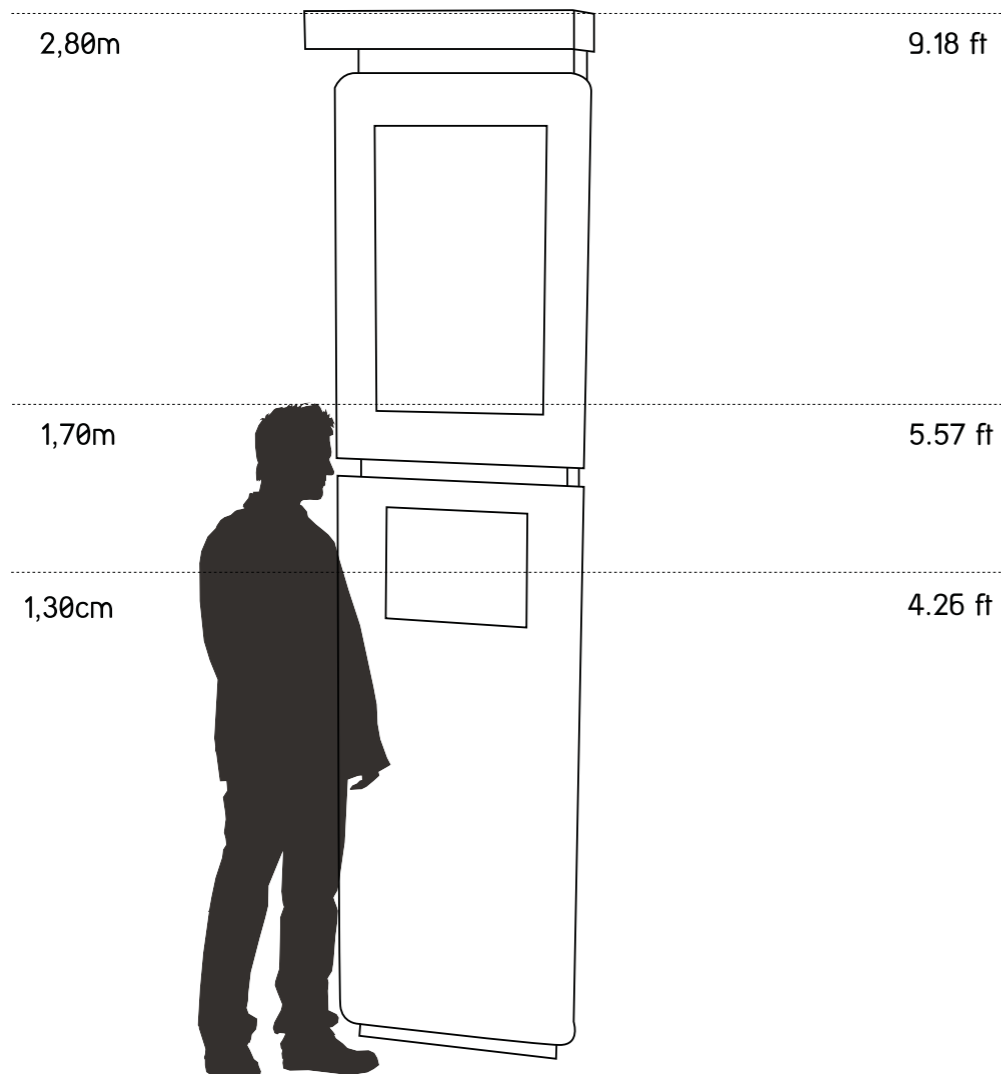


Aztecca
Advertising and Interactivity



Azteca

Distance comparison and main features



Type

- Indoor / Outdoor

Materials

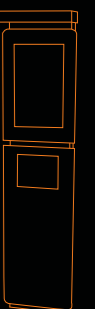
- Painted Steel
- Stainless Steel
- MDF

Options

- Webcam
- Ticket Printer
- Card Reader
- Antivandalic Keyboard
- Bar Code Scanner
- Handset Phone
- Coin Validator
- Bill Validator
- Ykiosk Software

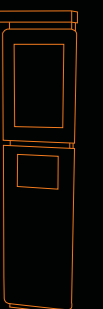
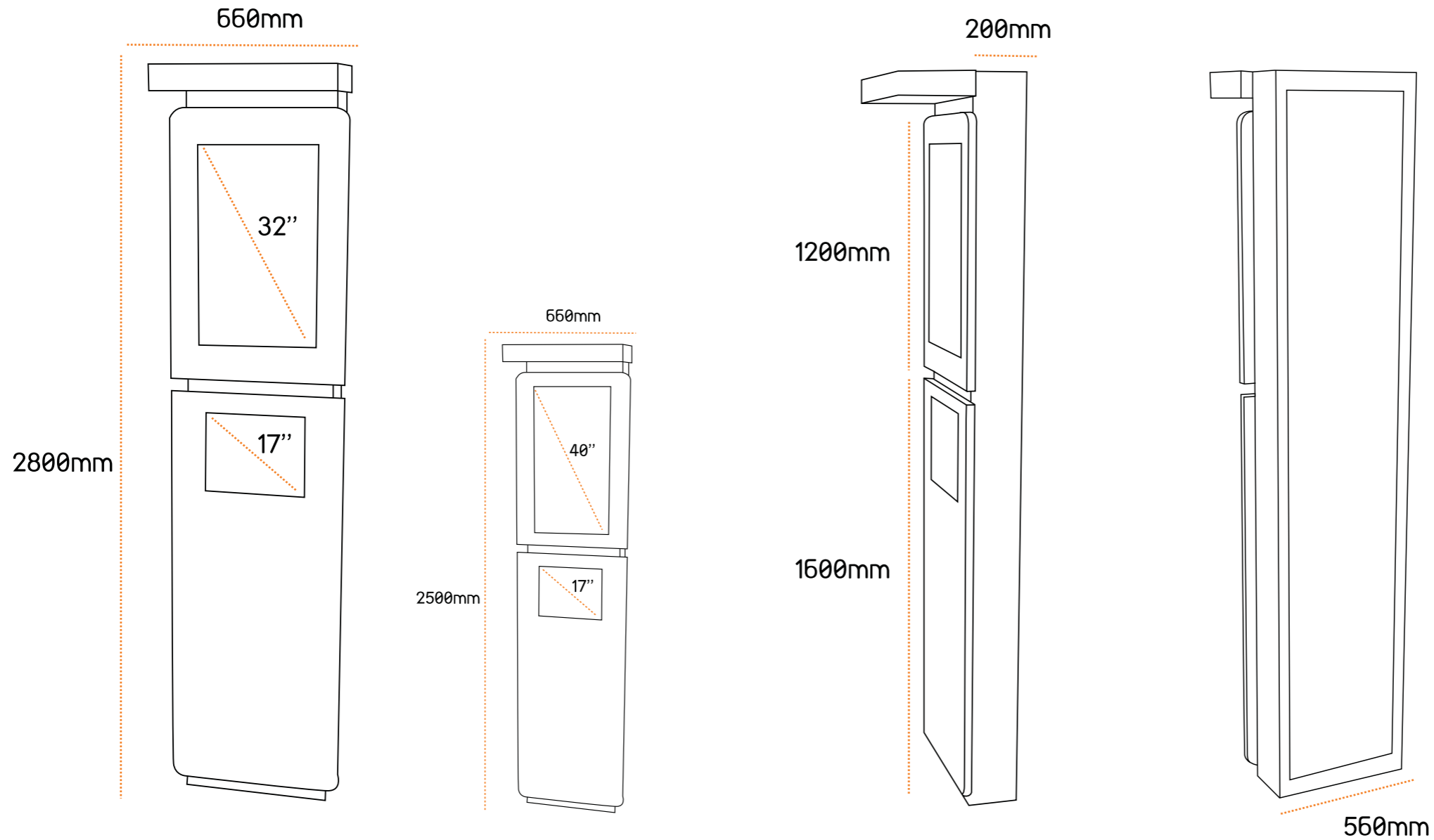
Distance comparison and main features

Azteca



Azteca

Kiosk measures



Aztecca

Technical data

Dimensions:

- Top display 32" (resolution: 1920x 1080 Pixels)
- Low display 17" (resolution: 1024x 768 Pixels)
- H2800 W650 D200 mm

Weight:

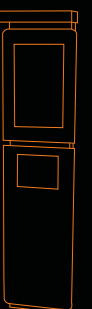
140 kg

Configuration:

- Advertising and Interactive
- Stainless steel AISI304 or painted steel (RAL Colors)
- Steel plate of 1,5mm to 2,5mm
- Top display 32"
- Low display 17"
- Integrated speakers

Optional:

- 19" to 45" Displays
 - Atom or Dual Core PC computer
 - Microsoft Windows 7 Professional
 - Ykiosk software package
 - Touch screen (SAW - antivandalism)
 - Wireless networking - WLAN
 - Bluetooth functionality
 - Webcam
- Other components can be integrated changing kiosk dimensions: ticket printer, coin validator, bill validator, card readers, antivandalic keyboard, proximity sensor, etc.





info@pointkiosk.si . tel.: +386 (0)5 3305 771 . fax.: +386 (0)5 3305 495

COBIT d.o.o., Industrijska cesta 5, Kromberk - p.p.235 -5001 Nova Gorica