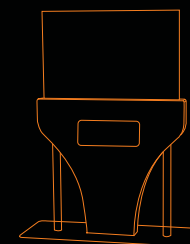


Showglass *Alfa* Kiosk



mail: info@pointkiosk.si . tel.: +386 (0)5 3305 771 . fax.: +386 (0)5 3305 495



Showglass Alfa

Interactivity platform with large dimensions

The Showglass model was developed for indoor use to work as a revolutionary dynamic advertising and multimedia system.

This model can be manufactured in stainless steel or painted steel (available in all RAL colors).

This kiosk was designed specifically to work as an innovative advertising system, which receives the image that is projected through a video projector. The Showglass also has an acrylic structure, with light in the front, for advertising (logo).

The dimensions of the image can vary, depending on quality and distance from which the projector is placed. However the Showglass is much more than a simple projection system of images, videos, websites, etc..

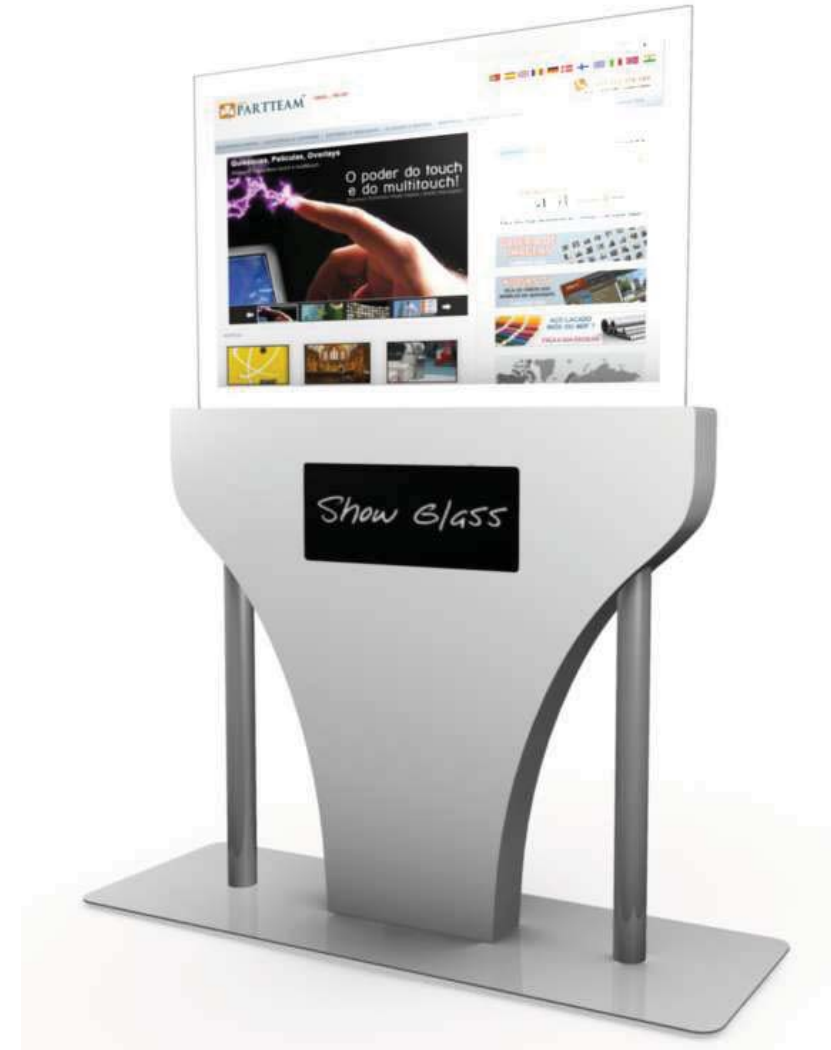
By placing an interactive foil on the glass where the image is projected, it is possible to transform the Showglass kiosk into an interactive Kiosk with large dimensions, impossible to achieve with LCD's and touchscreen monitors

With all these features the Showglass is specially suited for all types of applications where impact, size & interactivity are necessary.

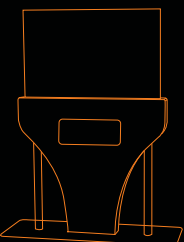
The Showglass must be equipped with a computer and a video projector.

Technical Specifications Showglass Alfa Kiosk

Dimensions: H1800 x W1350 x D450
Weight: aprox. 60 Kg.

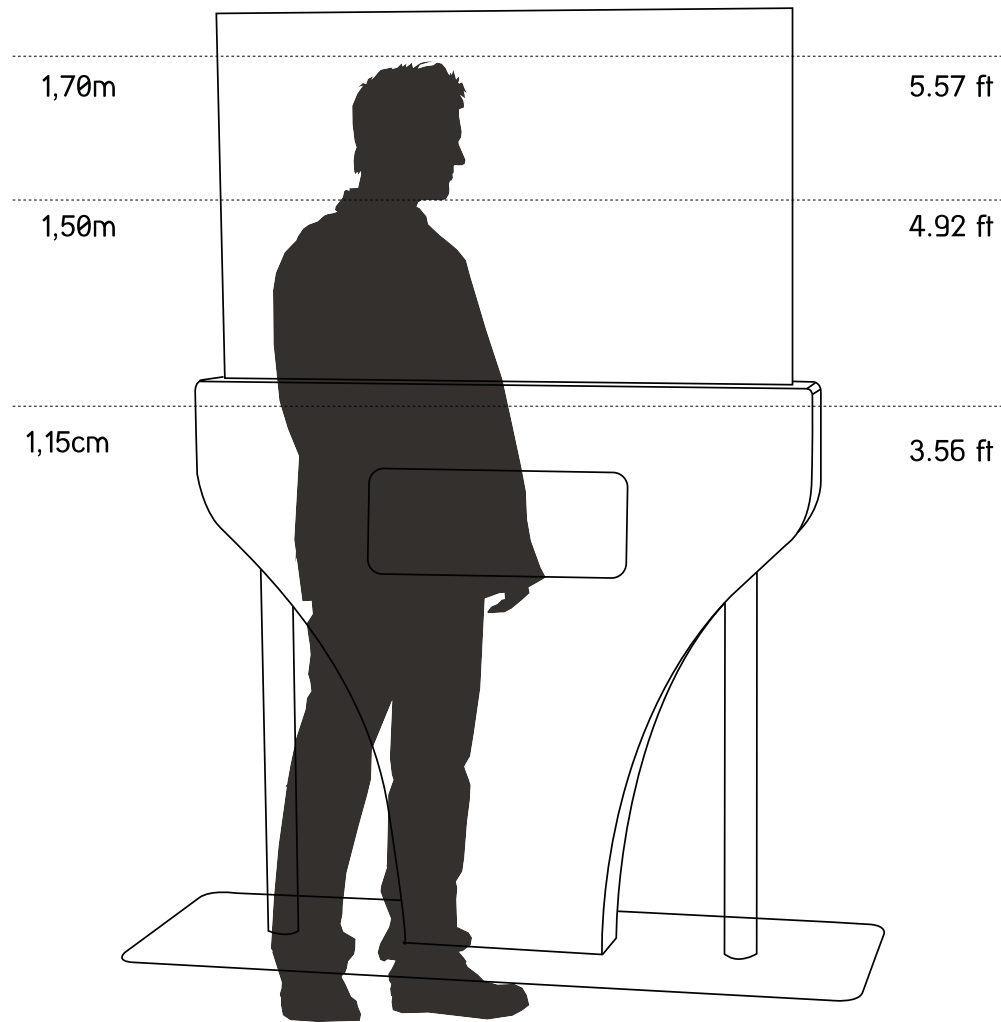


Showglass Alfa
Interactivity platform with large dimensions



Showglass Alfa

Distance comparison and main features



Type

Indoor

Materials

Painted Steel

Stainless Steel

MDF

Options

Display / Glass up to 108"

YdSignage Software

Directional Sound

Webcam

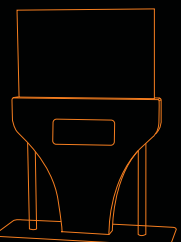
Proximity Sensor

Audience measurement

Interactivity / Touchscreen

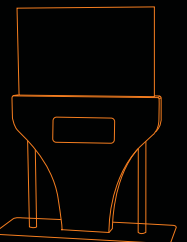
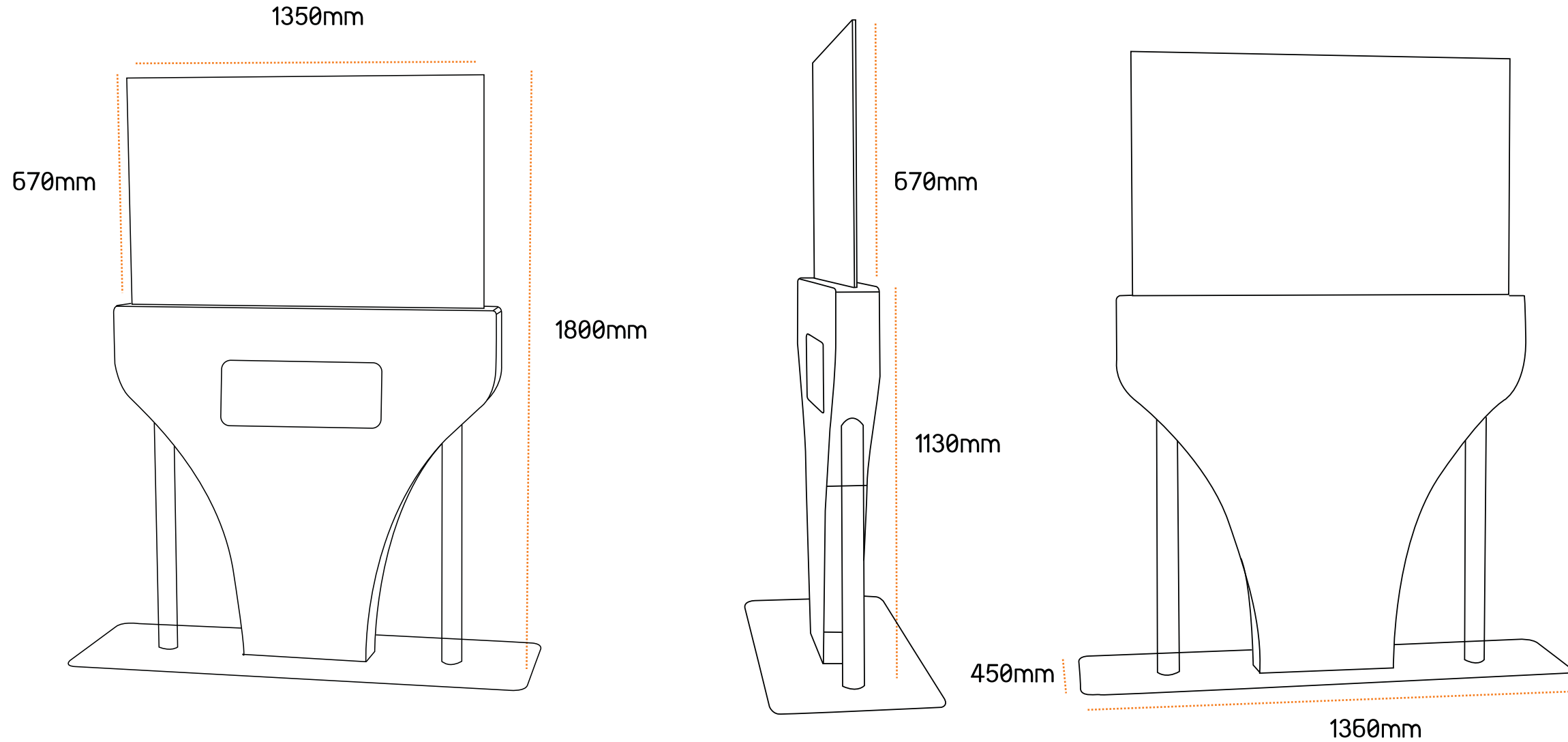
(Other options available upon request)

Showglass Alfa
Distance comparison and main features



Showglass Alfa

Kiosk measures



Showglass Alfa

Technical data

Dimensions:

- Display / Glass up to 108" (resolution: 1280 x 1024 Pixel)
- H1800 W1350 D450

Weight:

60 kg

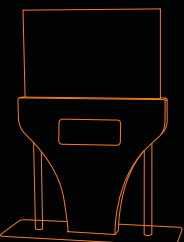
Configuration:

- Interactivity platform with large dimensions
- Stainless steel AISI304 or painted steel (RAL Colors)
- Steel plate of 1,5mm to 2,5mm
- Integrated speakers

Optional:

- Displays up to 108"
- Atom or Dual Core PC computer
- Microsoft Windows 7 Professional
- Ykiosk software package
- Interactivity / Touchscreen
- Wireless networking - WLAN
- Bluetooth functionality
- Webcam

• Other components can be integrated changing kiosk dimensions: ticket printer, coin validator, bill validator, card readers, antivandalic keyboard, proximity sensor, etc.





info@pointkiosk.si . tel.: +386 (0)5 3305 771 . fax.: +386 (0)5 3305 495

COBIT d.o.o., Industrijska cesta 5, Kromberk - p.p.235 -5001 Nova Gorica